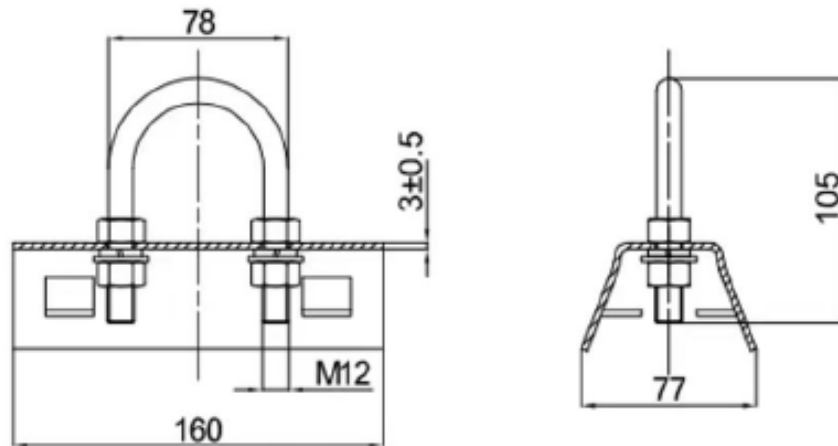


## Optowire Fitting Tools

### Attachment point YK-H-01

Attachment point YK-H-01 - tension fastening unit YK-H- 01 with a bar diameter of 10 mm, the loop is welded on by welding. Designed for tension fastening of an optical cable or a copper communication cable on the supports of overhead lines, urban electrical facilities (street lighting, ground electric transport), elements of buildings and structures.



## TECHNICAL SHEET

DESCRIPTION	DATA
Material	Galvanized Steel
Breaking load, KN	8
Slot width for steel strip, mm	21
Distance between supports, max. m	110
Bar thickness, mm	10
dimensions (L x W x H),mm	64x64x59
Weight ±10%, g.	500
Installation temperature, °C	-60 to 70